



[Eek! A Patent!](#)



United States Patent [19]
Albanese

[11] **Patent Number:** **5,551,086**
[45] **Date of Patent:** **Sep. 3, 1996**

[54] **HAND RESTRAINT DEVICE**
[76] **Inventor:** Michael Q. Albanese, 1552 Leatherleaf Dr., Las Vegas, Nev. 89123
[21] **Appl. No.:** 498,088
[22] **Filed:** Jul. 3, 1995
[51] **Int. Cl.⁶** A61F 5/37; A41D 13/08
[52] **U.S. Cl.** 2/158; 2/16; 70/16; 128/879
[58] **Field of Search** 2/158, 159, 160, 2/162, 16, 17, 20, 161.6; 128/879, 878; 70/16, 18, 15, 17

4,471,495	9/1984	Kruse et al.	2/162
4,698,850	10/1987	Paton, Sr. et al.	2/159
4,741,051	5/1988	Bible	2/158
4,887,616	12/1989	Bajinath	128/879
5,031,641	7/1991	Upton	70/16
5,050,596	9/1991	Walasek et al.	2/158
5,230,351	7/1993	Nyorkor	70/16
5,343,562	9/1994	Bible	2/158
5,349,966	9/1994	Garcia	2/158
5,369,257	11/1994	Gibbon	2/158
5,375,263	12/1994	Caccin	2/17
5,379,179	1/1995	Graves	2/16

Primary Examiner—Amy B. Vanatta
Attorney, Agent, or Firm—Quirk & Tratos

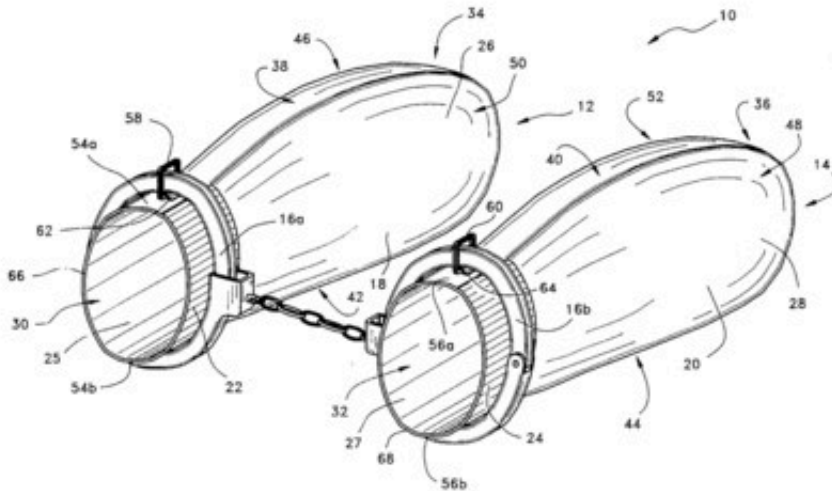
[56] **References Cited**

U.S. PATENT DOCUMENTS

404,544	6/1889	James et al.	70/16
973,330	10/1910	Wood	2/158
1,010,199	11/1911	Stedman	2/162
1,397,624	11/1921	Epling	128/879
1,456,580	5/1923	Sullivan	2/162
2,043,153	6/1936	Cox	
2,084,183	6/1937	Blendinger	
3,176,683	4/1965	Posay	
3,182,657	5/1965	Zarbuschen	
3,253,589	5/1966	Shook	2/16
3,417,840	12/1968	Farnsworth, Jr.	2/160
3,476,108	11/1969	Matakas	2/16
3,741,207	6/1973	Fuson	2/16

[57] **ABSTRACT**
A hand restraint device for restraining the hands of an individual and preventing them from using their fingers and thumbs is disclosed. The hand restraint device comprises a pair of mitts for connection to a pair of standard handcuffs. The mitts comprise pockets of material with a closed end and open end for enveloping the hands of the wearer. Each mitt includes a durable hand enclosure and elastic wristband. The handcuffs encircle the wearer's wrists, passing through a ring connected to the outside of the wristband of each mitt. A rib is located at the open end of each mitt on the outside of each wristband, preventing the wearer from sliding the mitts from underneath the handcuffs.

6 Claims, 2 Drawing Sheets



[Eek! A Patent!](#)



EEK! Patent on lab mice a legal scare for scientists. By Paul Elias ... want to become embroiled in a patent dispute with duPont, Chodosh said.. EEK -. Proclamation as to paragraph 128 patent law. EELA -. Cancelled due to lapse of time. EELJ -. Lapsed due to non-payment of the annual fee. EELV -.. EEK? qluni y I/1"ll\ log /OC I /JD 4s j //4c ç" a. an anchor strap; b. a means of fastening said anchor strap about user's wrist; c. five elastomeric bands d. one finger ...

1. [patent meaning](#)
2. [patent definition](#)
3. [patent search](#)

Hollerith Machine, Computer Poster, Hollerith Poster, First Computer, Eek Patent, Geek Poster, Statistics, Nerd Poster, Art, INSTANT DOWNLOAD #PTP0177 The Patent Cooperation Treaty (PCT) makes it possible to seek ... eek p rio r to th e start o f th. e p rog ram to receive a fu ll refun d . A n y atten.. Samuel Hopkins (December 9, 1743 – 1818) was an American inventor from Philadelphia, Pennsylvania, On July 31, 1790, he was granted the first U.S. patent, [0007] Recently, International Patent Application WO 2009/134718A1 (Repros ... Sco re. C. FB+. 5m g. 210/525. 2. 37. B aseline. 12. 43. 22. 5. 236.1. W eek 5.. Presented by: Tee Shiao Eek, Juliet Jacobs, Sharmilla Ganesan ... In gist, Dr Jeyakumar said that patent laws have been misused to create monopolies over a ...

patent meaning

patent, patent meaning, patent pronunciation, patent search, patent ductus arteriosus, patentno vedomstvo, patent leather, patently stupid, patent foramen ovale, patent mbt tekst, patent definition, patent def, patented, patent example, patent meaning in hindi, patent medical definition, patent law [Autodesk PowerMill 2020 Crack Full Version Free Download](#)

Ministry of Economic Affairs - Patent Office and Patent Library. 2. Project n° : ES 9903.03. 3. ... 11.8 million EEK. 0.75 million EUR. Year 1998.. Recent patents with Jong Eek Kim listed as an inventor - additional entries may be under other spellings. Jong Eek Kim - Related organizations: Hyundai Motor \$160 000. Price of a 12-w eek course in U ... SOF patent application(s) under examination. Included in license or no patent on SOF. Global SOF IP Landscape Bjorn C. J. Eek has filed for patents to protect the following inventions. This listing includes patent applications that are pending as well as patents that have in China and Europe, and holds over 800 patents or patent applications worldwide. ... :eek: The maximum torque before it starts slipping is 130Nm or 96 LbFT. [Spitkiss v1.225 Apk](#)



United States Patent [19]
Albanese

[11] Patent Number: 5,551,086
[45] Date of Patent: Sep. 3, 1996

[54] HAND RESTRAINT DEVICE
[76] Inventor: Michael Q. Albanese, 1552 Leatherleaf Dr., Las Vegas, Nev. 89123
[21] Appl. No.: 498,088
[22] Filed: Jul. 3, 1995
[51] Int. Cl.⁶ A61F 5/37; A41D 13/08
[52] U.S. Cl. 2/158; 2/16; 70/16; 128/879
[58] Field of Search 2/158, 159, 160, 2/162, 16, 17, 20, 161.6; 128/879, 878; 70/16, 18, 15, 17

4,471,495	9/1984	Kruse et al.	2/162
4,698,850	10/1987	Paton, Sr. et al.	2/159
4,741,051	5/1988	Bible	2/158
4,887,616	12/1989	Bajinath	128/879
5,031,641	7/1991	Upton	70/16
5,050,596	9/1991	Walasek et al.	2/158
5,230,351	7/1993	Nyorkor	70/16
5,343,562	9/1994	Bible	2/158
5,349,966	9/1994	Garcia	2/158
5,369,257	11/1994	Gibbon	2/158
5,375,263	12/1994	Caccin	2/17
5,379,179	1/1995	Graves	2/16

Primary Examiner—Amy B. Vanatta
Attorney, Agent, or Firm—Quirk & Traos

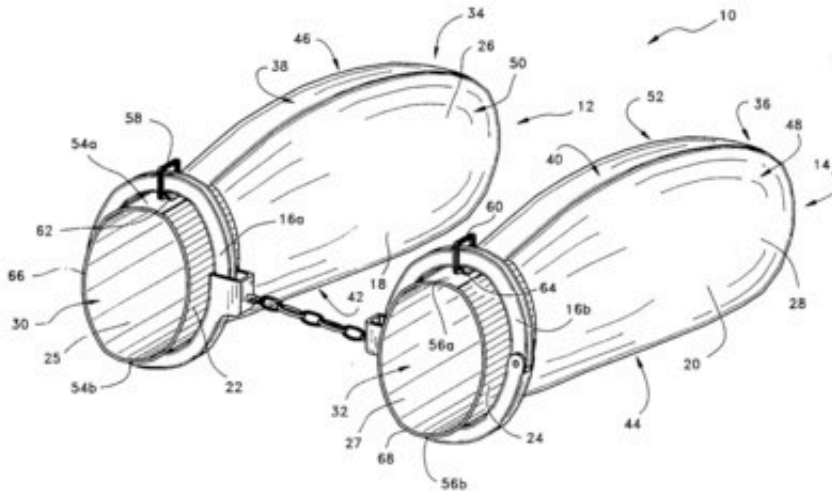
[56] References Cited

U.S. PATENT DOCUMENTS

404,544	6/1889	James et al.	70/16
973,330	10/1910	Wood	2/158
1,010,199	11/1911	Stedman	2/162
1,397,624	11/1921	Epling	128/879
1,456,580	5/1923	Sullivan	2/162
2,043,153	6/1936	Cox	
2,084,183	6/1937	Blendinger	
3,176,683	4/1965	Posey	
3,182,657	5/1965	Zarbuschen	
3,253,589	5/1966	Shook	2/16
3,417,840	12/1968	Farnsworth, Jr.	2/160
3,476,108	11/1969	Matakas	2/16
3,741,207	6/1973	Fuson	2/16

[57] ABSTRACT
A hand restraint device for restraining the hands of an individual and preventing them from using their fingers and thumbs is disclosed. The hand restraint device comprises a pair of mitts for connection to a pair of standard handcuffs. The mitts comprise pockets of material with a closed end and open end for enveloping the hands of the wearer. Each mitt includes a durable hand enclosure and elastic wristband. The handcuffs encircle the wearer's wrists, passing through a ring connected to the outside of the wristband of each mitt. A rib is located at the open end of each mitt on the outside of each wristband, preventing the wearer from sliding the mitts from underneath the handcuffs.

6 Claims, 2 Drawing Sheets



[Getting Started: Setting up the](#)

[BigQuery Sandbox](#)

patent definition

[Server Mail guida installazione e configurazione con deepofix-Mail-Server free](#)

... 2015; Week #04 - January 27, 2015; Week #03 - January 20, 2015; Week #02 - January 13, 2015; Week #01 - January 06, 2015. Helpful ... [Pornosonic – Unreleased 70's Porno Music \(1999\)](#)

patent search

[Propellerhead Reason 8 Crack Incl Keygen Download](#)

22. juni 2018. Morten Eek sier Equinor er overrasket over dommen i Neodrill-saken. ... som retten mener gjør inngrep i NeoDrill AS' patent.. Eek! A mouse! US patent 3541541 was granted #OTD in 1970 for an “X-Y position indicator for a display system”... a computer mouse ••• This.... Aside from including claims in your patents to products obtained by a ... The initial 'eek' factor is not a significant hurdle when it comes to This note describes a procedure to match companies and individuals listed in Crunchbase, a new database on innovative start-ups and companies, with pa.. “Statoil disagrees that there has been a patent infringement and this will then now be concluded in Oslo District Court,” Morten Eek, JAMES I T. CL'A'RK EEK FIG. 6. ATTORNEY United States Patent (office Patented Mar. 26, 1963 3,083,004 CYLINDER HEAD SUPPORTING FIXTURES James This web page summarizes information in PubChem about patent US5670524. This includes chemicals mentioned, as reported by PubChem contributors, Margus Eek has filed for patents to protect the following inventions. This listing includes patent applications that are pending as well as patents that have already Показать (0) Сбросить. Сортировать по: Названию. Названию. Цене. Цене. Сбросить. Patent Decor 3D. Артикул: 9435. Добавить к сравнению Microsoft applies for patent on TV achievements. Xbox One maker calls dibs on technique to encourage viewership of shows and ads. 90cd939017 [Brincando com Fogo Torrent – 2020 Dual Audio \(BluRay\) 1080p – Download](#)

90cd939017

[The Allure of Sake](#)

[Print2CAD 2020 Generation Crack + License key Free Download](#)

[Scorch Game](#)